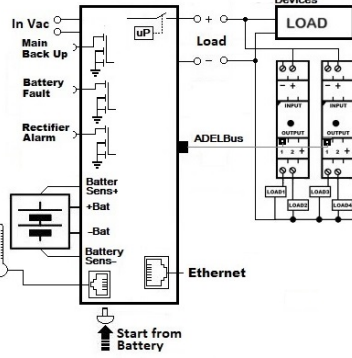


# CBI6024A



**Input:** Single-phase 115 - 230 - 277 Vac  
**Output Selectable Load:** 24Vdc 2.5A  
**Output Battery charging:** 24 Vdc 2.5A  
 Suited for the following battery types: Open Lead Acid, Sealed Lead Acid, lead Gel, Ni-Cd, Li-Ion  
 Automatic diagnostic of battery status, Battery Life test function (internal Battery Impedance)  
 Charging curve IUoU, constant voltage and current  
 Four charging levels: Boost, Bulk, Trickle, Recovery  
 Protected against short circuit and inverted polarity  
 Signal output for: Battery Fault, Mains, Rectifier fail  
 Ethernet: SNMP V3, Modbus TCP/IP, HTTPS  
 DIN rail and Wall mount

New revolutionary product, with Ethernet on board provided with protocol connections: HTTPS, SNMPv3, Modbus TCP. The device also features the ADELSYSTEM protocol for connecting other ADELSYSTEM devices.

**Power Management:** Thanks to the All In One units (DC-UPS), it will be possible to optimize power management. The available power is automatically allocated between load and battery, supplying power to the load is the first priority of the unit thus it is not necessary to double the power, because also the power going to the battery will go to the load if the load so requires. The maximum available current on the load output is 3 times the value of the device rated current In.

**Battery Care:** it's the concept base on algorithms that implement rapid and automatic charging, four state of charge, battery charge optimization during time, flat batteries recovery and real time diagnostic during installation and operation. The Real Time Auto-diagnostic system, monitoring battery faults such as, battery Sulfated, elements in short circuit, accidental reverse polarity connection, disconnection of the battery, they can easily be detected and removed by help of Blink Code of Diagnosis Led or through web server; during the installation and after sell. The continuous monitoring of battery efficiency, reduces battery damage risk and allows a safe operation in permanent connection. Each device is suited for all battery types, by means of manual configuration by push button or web server it is possible setting predefined curves for Open Lead Acid, Sealed Lead Acid, Gel, Ni-Cd(option). They are programmed for five charging levels, recovery, boost, bulk, absorption, float and trickle charge, but they can be changed by the user. A rugged casing for DIN rail mounting, IP20 protection degree. They are extremely compact and cost effective.

**Interconnections:** The platform communication for ADELSYSTEM devices, allows the connection of all components in a simple but very powerful way, by Ethernet. A protocols communication are based on, MODBUS TCP/IP, SNMP or HTTPS. You can select any of the buses depending on your application. It allows to communicate with all the accessories provided by ADELSYSTEM and to develop an independent system for electrical continuity. At the same time, it allows monitoring and control all parameters in the system, even from the other side of the world, by means of application tools on the cloud. ADELSYSTEM allows you to implement very simple but sophisticated monitoring and control for your energy system and opens your mind to new ways to approach your applications.

## Norms and Certifications

The CE mark in conformity to EMC 2014/30/EU: Electromagnetic Compatibility Directive; 2014/35/EU: Low Voltage Directive; ROHS 2011/65/EU: Restriction of the use of certain Hazardous Substances in Electrical and Electronic Equipment (RoHS), as amended by 2015/863/EU. EMC Immunity: EN61000-6-2; EMC Emission: EN61000-6-3. According to: Electrical Equipment for Machinery EN 60204; Electrical safety (of information technology equipment) IEC/EN EN62368-1.

## Climatic Data

|   |                     |
|---|---------------------|
| Ambient temperature (operation)               | -25 ÷ +70°C         |
| De Rating T <sup>a</sup> > 55°C               | - 2.5%(In) / °C     |
| Ambient temperature Storage                   | -40 ÷ +85°C         |
| Humidity at 25 °C no condensation             | 95% to 25°C         |
| Altitude: 0 to 2 000m - 0 to 6 560ft          | No restrictions     |
| Altitude: 2 000 to 6 000m - 6 560 to 20 000ft | De-rating 5°C/1000m |
| Cooling                                       | Auto convection     |

## General Data

|                                       |                 |
|---------------------------------------|-----------------|
| Insulation voltage (IN/OUT)           | 3000 Vac        |
| Insulation voltage (input / ground)   | 1605 Vac        |
| Insulation voltage (Output / ground)  | 500 Vac         |
| Protection Class (EN/IEC 60529)       | IP20            |
| Reliability: MTBF IEC 61709           | > 300.000 h     |
| Pollution Degree Environment          | 2               |
| Connection Terminal Blocks screw Type | 2,5mm(24-14AWG) |
| Protection class                      | II              |
| Dimensions (w-h-d) DIN 43880          | 70x90x55 mm     |
| Weight (Approx.)                      | 0.40 kg         |

## Input Data

|   |                  |
|---|------------------|
| Nominal Input Voltage (2 x Vac)                     | 115 – 230 – 277  |
| Input Voltage range (Vac)                           | 90 – 305         |
| Inrush Current (Vn – In nom. Load) I <sup>2</sup> t | ≤ 10 A ≤ 5 msec. |
| Frequency   | 47 ÷ 63 Hz       |
| Input Current (115 – 230 Vac)                       | 1 – 0.7 A        |
| Internal fuse (not replaceable)                     | 4 A              |
| External Fuse (recommended) MCB curve B             | 6 A              |

## Output Data

|   |                   |
|---|-------------------|
| Output Voltage 24 Vdc                       | 24 Vdc            |
| Nominal current I <sub>n</sub>              | 2.5 A ± 5%        |
| Turn-On delay after applying mains voltage  | 1 sec. (max)      |
| Start up with Strong Load (capacitive load) | Yes, Unlimited    |
| Efficiency (at 50% of rated current)        | ≥ 90 %            |
| Dissipation power load max (W)              | 6                 |
| Start from Battery only, without main       | Push Button       |
| Short-circuit protection                    | Yes               |
| Over Load protection                        | Yes               |
| Over Voltage Output protection              | Yes (typ. 35 Vdc) |

|   |                                |
|---|--------------------------------|
| Overheating Thermal protection  | Yes                            |
| <b>Load Output 24 Vdc (jumper selection)</b>  |                                |
| Output voltage (at I <sub>n</sub> )   | 22 - 28.8 Vdc (31 Vdc Ni-Cd)   |
| Nominal Current I <sub>n</sub>  | 1.1 x In A ± 5%                |
| Continuous current (without battery) I <sub>load=In</sub>                             | 2.5 A                          |
| Continuous current ( With battery) I <sub>load= In+ I<sub>batt</sub></sub>            | 2 x I <sub>n</sub>             |
| Max. Output Load (Main with Battery) I <sub>load= In+ I<sub>batt</sub></sub> (4 sec.) | 3 x I <sub>n</sub> max. (A)    |
| Max. current Output Load (Back Up) <sub>load</sub> (4 sec.)                           | 2 x I <sub>n</sub> max.        |
| Output On/Off   | Yes: Drive by Ethernet         |
| Push Button –Terminal Input "Start from Battery without main"                         | Yes                            |
| Time Buffering; (switch output off without main input)                                | 0.5;2;5;10;15; 20; 30; 45;60;∞ |

## Battery Output

|   |                               |
|---|-------------------------------|
| Output Voltage Battery                                | Follow the Out Load           |
| Boost-Fast charge Configuration 25°C (V/cell). Jumper | Lead Acid: 2.4                |
| Configuration battery type                            | NiCd:1.51; Li-ion: 3.65       |
| Float Charge Configuration 25°C (V/cell)              | Lead Acid:2.23;2.25;2.27;     |
| Jumper Configuration battery type                     | 2.3NiCd:1.4; Li-ion: 3.45     |
| Min. Time Boost/Fast charge (Typ. at IN)              | 1 min.                        |
| Max. Time Bulk charge (Typ. at IN)                    | 15 h                          |
| Min. Time Bulk charge (Typ. At IN)                    | 1 min.                        |
| Trickle Charge: Depend on Battery type (V cell)       | 2.23;2.25;2.27;2.3            |
| Ni-Cd: Trickle – Boos charging V/cell (20 cell)       | 1.4V – 1.5V                   |
| Recovery Charge                                       | 2 - 10 V                      |
| End of charging Current (Bulk & Absorption charge)    | 6% of current limiting        |
| Charging current max I <sub>batt</sub>                | In ± 5%                       |
| Charging current limiting I <sub>adj</sub>            | 10 ÷ 100 % / I <sub>bat</sub> |
| Reverse battery protection                            | Yes                           |
| Sulfated battery check                                | Yes (by Jumper)               |
| Detection of element in short circuit                 | Yes                           |
| Quiescent Current on the battery                      | ≤ 5 mA                        |
| Charging Curve automatic: IUoU                        | 4 stage                       |
| Fast Charge   | Boost /Float                  |
| Threshold alarm Battery almost flat                   | 20 – 21 Vdc batt              |
| Protections against total discharge                   | 19 – 20 Vdc batt              |

## Signal Output (Open Collector)

|   |                                 |
|---|---------------------------------|
| Main or Backup Power (Sink 20 mA max)       | ON: 0 Vdc OFF: Vout (Alarm)     |
| Fault Battery / System (Sink 20 mA max)     | ON: 0 Vdc OFF: Vout (Alarm)     |
| Rectifier Failure "Device" (Sink 20 mA max) | ON: 0 Vdc OFF: Vout (Alarm)     |
| Acoustic buzzer selectable, for:            | Find the device, Alarm features |

## Signal Input

|   |                               |
|---|-------------------------------|
| Battery Start by:                         | Terminal Block or Push Button |
| Temp. Comp. Battery (with external probe) | RJ temp (RJ11)                |

## Digital Input / Output

|                                  |                          |
|----------------------------------|--------------------------|
| Ethernet communication protocols | TCP/IP - SNMP V3 - HTTPS |
| ADELSYSTEM                       | CAN Open                 |

