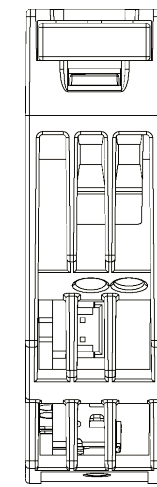
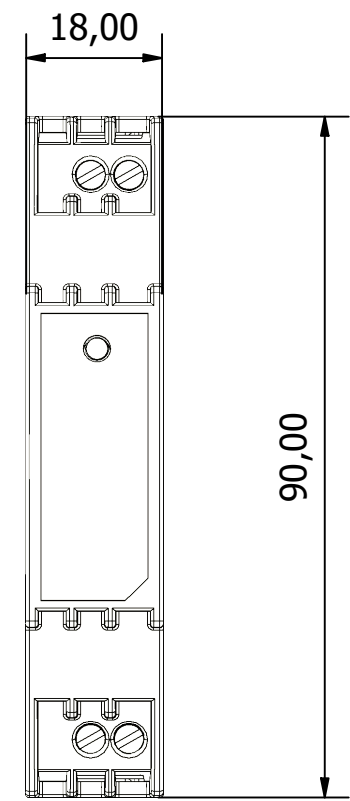
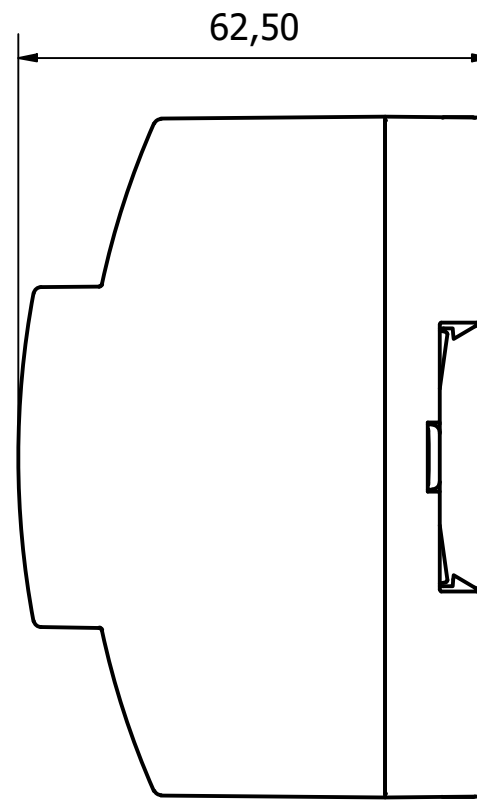
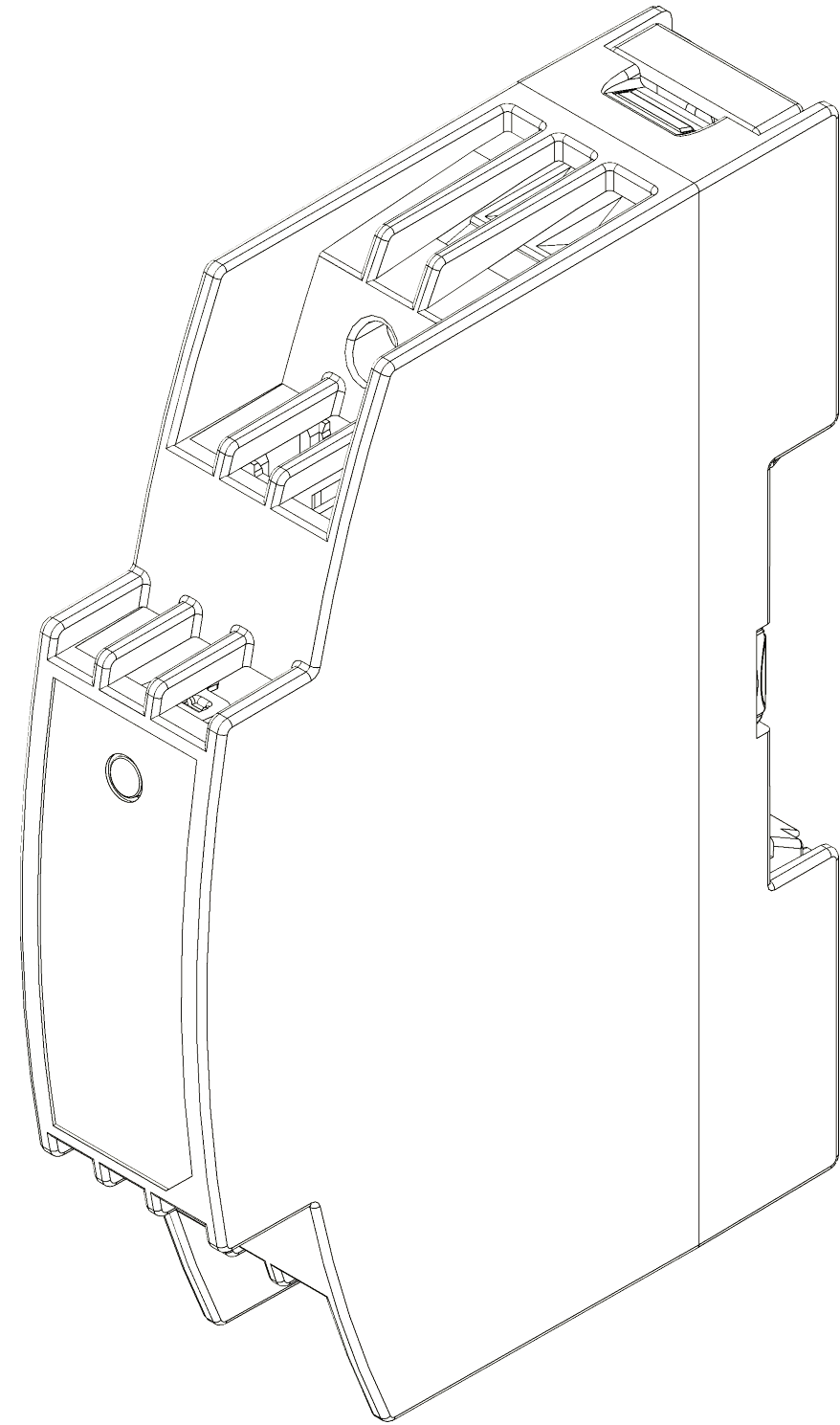


REVISION HISTORY

REV	DESCRIPTION	DATE	APPROVED



Material:		PAGE: 1 of 1	
Any disclosure, use or duplication of this document or of any of the information contained herein is expressly prohibited. All rights reserved.		Tooling Tolerance: ±	
DESCRIPTION: MRF102		REV.:	DATE: 31/05/2023
TITLE: Complete Assembly Design		SCALE: 1 : 1	DOC. NUMBER:
	Drawn By: S.S.	Verified By:	Approved By: FILE: