

SFP544 Safety Power



Input: Single-phase 115 - 230 - 277 Vac

Output: 12 - 24 - 48 Vdc
 Charge type: all range "CBI" DC UPS ADELSYSTEM
 Battery Temperature compensation
 Deep Discharge protections
 Charging curve IUoUO, constant voltage and
 Constant current
 Life Test Battery: detect internal battery resistance
 Four charging levels: Recovery, Bulk, Absorption,
 Boost, Trickle and
 Protected against short circuit and inverted polarity
 Signal output (contact free) for discharged or
 damaged battery, Mains / Back-UP
 Connectivity: ModBus RTU; Ethernet
 Wall Mount
 Protection degree IP30; Space saving

Feature

Power supply unit conform to European standard EN54.4. the device provide power for the main panel, in field device and stand by Battery. The maximum total current depending on the type of CBI's chosen at least 20 A that can be distributed between load and battery. The CBI device can supply the load and in the main time recharge and detect the batteries.

When main fail, automatically the CBI'S switch the battery to the load without any output interruption. In any situation the battery it is tested charged and temperature charging compensated, by external temperature sensor. By DPY351 or DPY353 it is possible monitoring all kind of state and alarm that can be transmitted by Dry contact or by Ethernet. The alarm Type are: Battery Fault, Main o Back Up, Generic Fault. By ADELView system DPY354, it is possible monitoring and configuring the device in other area.

Device configuration (In Voltage 115,230,277 Vac)

| Output | Device | Accessory | Connectivity |
|--------|--------|-------------|-----------------|
| 12 | 3A | CBI123A | DPY353 |
| 12 | 5A | CBI126A | DPY353 |
| 12 | 10A | CBI1210A | DPY353 |
| 12 | 15A | CBI2801224A | DPY351 - DPY353 |
| 12 | 35A | CBI1235A | DPY351 - DPY353 |
| 24 | 2.5A | CBI6024A | DPY351 - DPY353 |
| 24 | 3A | CBI243A | DPY353 |
| 24 | 5A | CBI245A | DPY353 |
| 24 | 10A | CBI2410A | DPY353 |
| 24 | 10A | CBI2801224A | DPY351 - DPY353 |
| 24 | 20A | CBI2420A | DPY351 - DPY353 |
| 48 | 5A | CBI485A | DPY353 |
| 48 | 10A | CBI4810A | DPY351 - DPY353 |

Input Data

| | |
|---------------------------|-----------------|
| Nominal Input Voltage Vac | 115 – 230 – 277 |
| Voltage range Vac | 90 ÷ 305 |
| Frequency | 47 ÷ 63 Hz |

For other data please refer to specific CBI'S data sheet

Generic Output Data "Load side"

| | |
|-----------------------------------|---------------|
| Output Voltage 12 – 24 – 48 Vdc.: | Depend on CBI |
| Output Number | 2 |

Battery Output Connection

| | |
|------------------------|---------------|
| Output Voltage Battery | Depend on CBI |
|------------------------|---------------|

Signal Output Alarm (free switch contacts)

| | |
|----------------------------|-----|
| Main or Backup Input Power | Yes |
| Battery Fault | Yes |
| Generic System Fault | Yes |

Battery Type Capacity

| | |
|--------------|---------------|
| Lead Acid Ah | 1.2–3–7–12–18 |
|--------------|---------------|

Signal Input / Output (on Aux1 CBI)

| | |
|---|------------------|
| Temp. Comp. Battery (with external probe) | Yes |
| Remote monitoring display | DPY351 or DPY352 |
| Connection Ethernet | By DPY351 |
| Connection ModBus by CBI. See Table: | Device Config. |

General Data

| | |
|--|-----------------------|
| Protection Class (EN/IEC 60529) | IP30(indoor use only) |
| Protection class (PE Connected) | I, with PE |
| Steel enclosure, painted steel, Coating: | White or Black |
| Dimensions (w-h-d) | 240x310x150 mm |
| Weight | kg 6.8 pprox.. |

Climatic Data

| | |
|-----------------------------------|-----------------|
| Ambient temperature (operation) | -25 ÷ +70°C |
| De Rating T ^a > 50°C | - 2.5%(In) / °C |
| Ambient temperature Storage | -40 ÷ +85°C |
| Humidity at 25 °C no condensation | 95% to 25°C |
| Cooling | Auto convection |

Norms and Certifications

In Conformity to: EN60950 / UL1950 Electrical safety; EN54-4 Fire Detection and fire alarm systems and EN12101-10. Electromagnetic Compatibility 2014/30/EU; Low Voltage 2014/35/EU; Restriction of Hazardous Substances directive (RoHS) 2011/65/EU

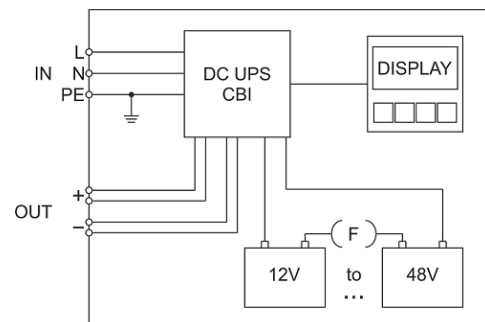
Ordering

| | |
|--|-------------|
| Enclosure coating White , Code: | SFP544-xxxW |
| Enclosure coating Black , Code: | SFP544-xxxB |

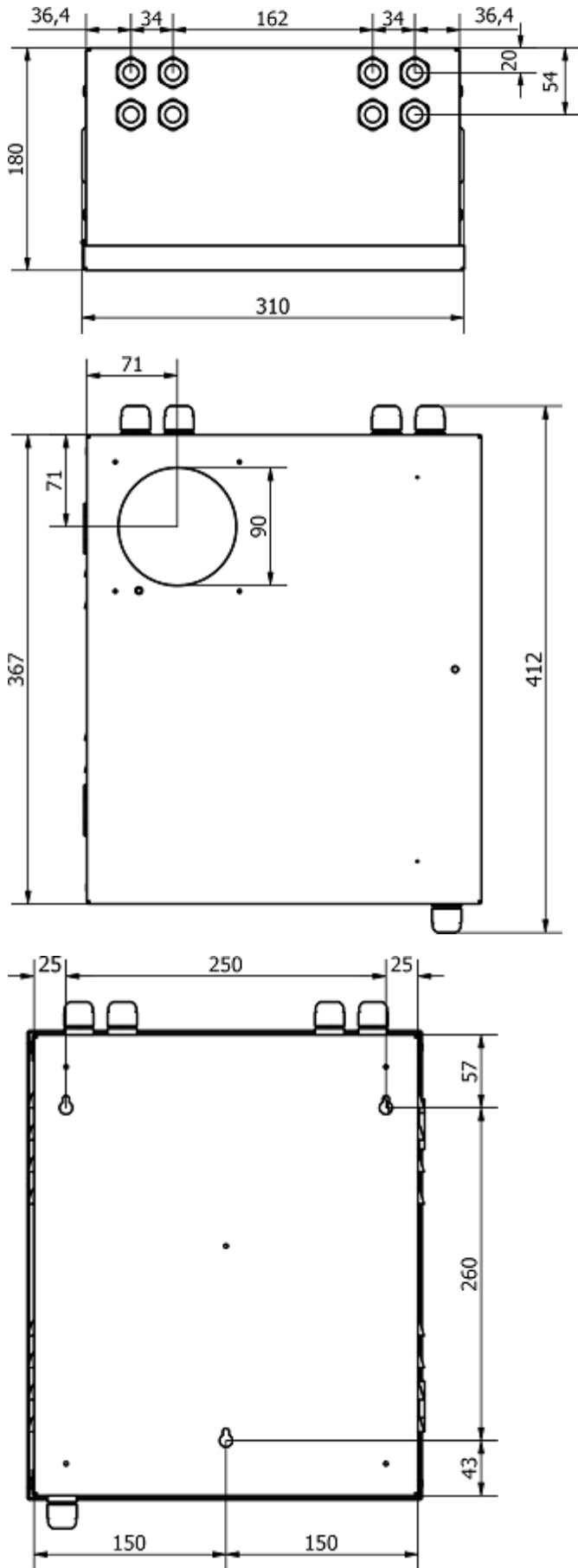
Accessory

| | |
|--|------------|
| All Range DC UPS | CBI xxxx A |
| 3.5" Graphic display for Monitoring and Ethernet | DPY351 |
| 5 LED display for Monitoring Alarm | DPY353 |
| IoT Software "ADELView System" | DPY354 |
| Temperature Battery Compensation Probe | RJTEMP xxx |

Electrical Diagram



Drawings



Battery Configurations

