

SFP544 Safety Power



Input: Single-phase 115 - 230 - 277 Vac

Output: 12 - 24 - 48 Vdc
 Charge type: all range "CBI" DC UPS ADELSYSTEM
 Battery Temperature compensation
 Deep Discharge protections
 Charging curve IUoUO, constant voltage and Constant current
 Life Test Battery: detect internal battery resistance
 Four charging levels: Recovery, Bulk, Absorption, Boost, Trickle and
 Protected against short circuit and inverted polarity
 Signal output (contact free) for discharged or damaged battery, Mains / Back-UP
 Connectivity: ModBus RTU; Ethernet
 Wall Mount
 Protection degree IP30; Space saving

Feature

Power supply unit conform to European standard EN54.4. the device provide power for the main panel, in field device and stand by Battery. The maximum total current depending on the type of CBI's chosen at least 20 A that can be distributed between load and battery. The CBI device can supply the load and in the main time recharge and detect the batteries.

When main fail, automatically the CBI'S switch the battery to the load without any output interruption. In any situation the battery it is tested charged and temperature charging compensated, by external temperature sensor. By DPY351 or DPY353 it is possible monitoring all kind of state and alarm that can be transmitted by Dry contact or by Ethernet. The alarm Type are: Battery Fault, Main o Back Up, Generic Fault. By ADELView system DPY354, it is possible monitoring and configuring the device in other area.

Device configuration (In Voltage 115,230,277 Vac)

Output	Device	Accessory	Connectivity
12	3A	CBI123A	DPY353
12	5A	CBI126A	DPY353
12	10A	CBI1210A	DPY353
12	15A	CBI2801224A	DPY351 - DPY353
12	35A	CBI1235A	DPY351 - DPY353
24	2.5A	CBI6024A	DPY351 - DPY353
24	3A	CBI243A	DPY353
24	5A	CBI245A	DPY353
24	10A	CBI2410A	DPY353
24	10A	CBI2801224A	DPY351 - DPY353
24	20A	CBI2420A	DPY351 - DPY353
48	5A	CBI485A	DPY353
48	10A	CBI4810A	DPY351 - DPY353

Input Data

Nominal Input Voltage Vac	115 – 230 – 277
Voltage range Vac	90 ÷ 305
Frequency	47 ÷ 63 Hz

For other data please refer to specific CBI'S data sheet

Generic Output Data "Load side"

Output Voltage 12 – 24 – 48 Vdc.:	Depend on CBI
Output Number	2

Battery Output Connection

Output Voltage Battery	Depend on CBI
------------------------	---------------

Signal Output Alarm (free switch contacts)

Main or Backup Input Power	Yes
Battery Fault	Yes
Generic System Fault	Yes

Battery Type Capacity

Lead Acid Ah	1.2–3–7–12–18
--------------	---------------

Signal Input / Output (on Aux1 CBI)

Temp. Comp. Battery (with external probe)	Yes
Remote monitoring display	DPY351 or DPY352
Connection Ethernet	By DPY351
Connection ModBus by CBI. See Table:	Device Config.

General Data

Protection Class (EN/IEC 60529)	IP30(indoor use only)
Protection class (PE Connected)	I, with PE
Steel enclosure, painted steel, Coating:	White or Black
Dimensions (w-h-d)	240x310x150 mm
Weight	kg 6.8 pprox..

Climatic Data

Ambient temperature (operation)	-25 ÷ +70°C
De Rating T ^a > 50°C	- 2.5%(In) / °C
Ambient temperature Storage	-40 ÷ +85°C
Humidity at 25 °C no condensation	95% to 25°C
Cooling	Auto convection

Norms and Certifications

In Conformity to: EN60950 / UL1950 Electrical safety; EN54-4 Fire Detection and fire alarm systems and EN12101-10. Electromagnetic Compatibility 2014/30/EU; Low Voltage 2014/35/EU; Restriction of Hazardous Substances directive (RoHS) 2011/65/EU

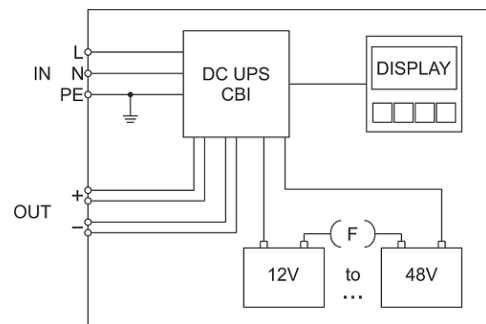
Ordering

Enclosure coating White , Code:	SFP544-xxxW
Enclosure coating Black , Code:	SFP544-xxxB

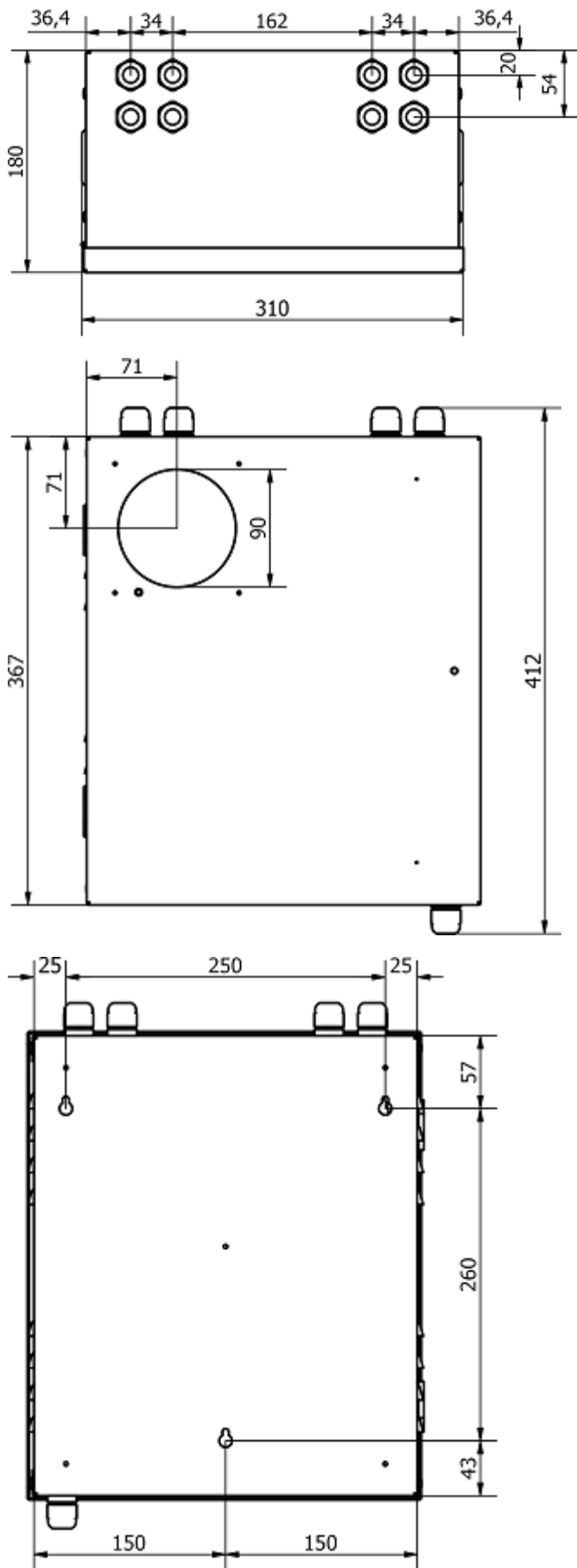
Accessory

All Range DC UPS	CBI xxxx A
3.5" Graphic display for Monitoring and Ethernet	DPY351
5 LED display for Monitoring Alarm	DPY353
IoT Software "ADELView System"	DPY354
Temperature Battery Compensation Probe	RJTEMP xxx

Electrical Diagram



Drawings



Battery Configurations

