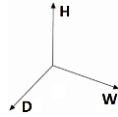
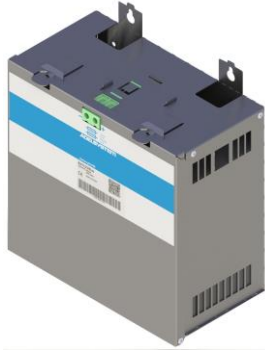


# BAT 12 VRLA Battery Bank



Maintenance free lead AGM, VRLA technology

Output: 24 VDC 12 Ah

Protection: Fuse

Connection with screws

Short circuit Protection

IP20

Wall Mount with screws

## Feature

Battery Bank for DC-UPS "All In One". Lead AGM, VRLA technology, maintenance-free lead-acid batteries with serial fuse. Simple connection with screws for Wall mount.

## Technical Data

Nominal Input Voltage	24 VDC
Battery Type (tpy)	Lead AGM 12 Ah
Dimension (WxHxD)	98x95x151 mm
Protection Fuse	Flat type Mini 25 A
Recovery Fuse	Flat type Mini 25 A

## Charging Data

End-of-charge Voltage (trickle charge) 20°C	27.5 VDC
End-of-charge Voltage (trickle charge) 30°C	26.8 VDC
End-of-charge Voltage (trickle charge) 40°C	26.1 VDC
Max. permissible charging current	3.6 A

## Discharging Data

Battery disconnection from CBI	< 19 VDC
Max. permissible Discharging current	25 A
Self-discharge rate at 20 °C	15% x month

## General Data

Protection Degree (EN/IEC 60529)	IP 20
Protection Class	III
Connection Terminal Block Screw Type	0.5-16 mm <sup>2</sup> (20-6 AWG)
Dimension (WxHxD)	205x201x107 mm
Weight	8.9 kg
DIN Rail	Yes
Wall mount	Yes

## Climatic Data

Ambient Temperature operation	0 ... 40 °C
Ambient Temperature Storage	0 ... 40 °C
Humidity at 25 °C, no condensation	95 %

## Norms and certifications

The CE mark in According to EMC Directive 2014/30/UE and Low voltage Directive 2014/35/UE.

## Electrical Safety

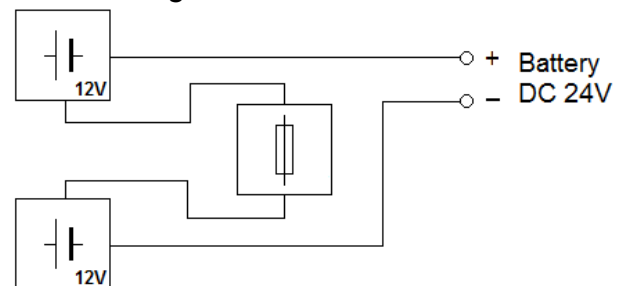
In compliance to UL508.

According to EN 60950-1/VDE 0805 (SELV) and EN 50178/VDE 0160 (PELV).

## Buffering time (min)

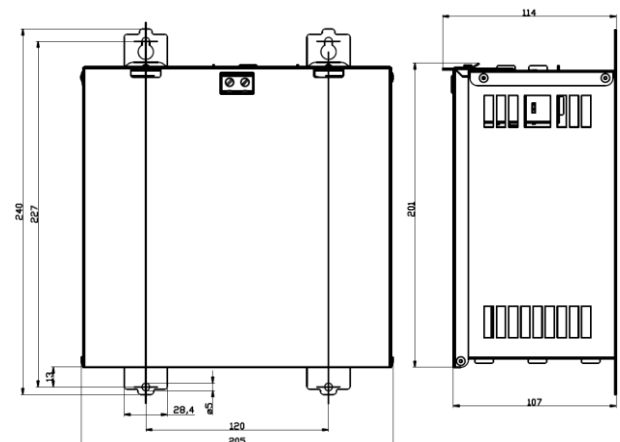
Battery Size	1.3 Ah	3 Ah	7 Ah	12 Ah
Load 1.5 A	20	60	200	400
Load 3 A	8	30	120	240
Load 5 A	3	15	55	100
Load 7.5 A	2	10	30	60
Load 10 A	No	7	20	45
Load 12 A	No	3	12	30
Load 15 A	No	No	9	20
Load 20 A	No	No	7	13

## Electrical Diagram



## Drawings

### Wall Mount



## Accessory

Protection Fuse Flat Type Mini 25 A

