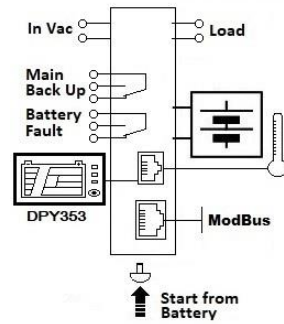


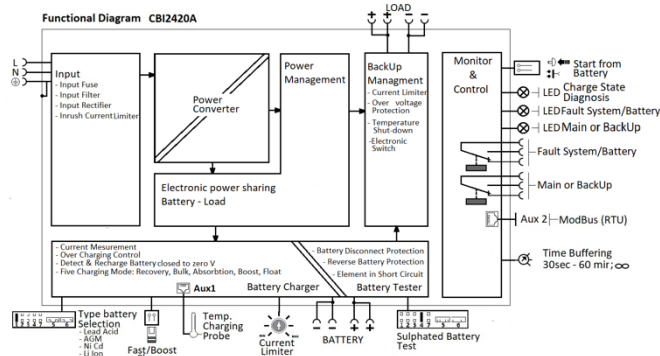
CBI2420A ALL In One



Input: Single-phase 115 - 277 Vac; 600W
 Output Load: power supply 24 Vdc; 25 A
 Output Battery: charging 24 Vdc; 25 A
 Suited for the following battery types: Open Lead Acid, Sealed Lead Acid, lead Gel and Ni-Cd
 Automatic diagnostic of battery status.
 Charging curve IUoU, constant voltage and constant current Battery Life Test function (Battery Care)
 Switching technology Four charging levels: Recovery, Bulk, Absorption, Boost, and Float
 Protected against short circuit and inverted Batt. polarity
 Signal output (contact free) for discharged or damaged battery
 Signal output (contact free) for Mains or Back-UP
 Modbus RTU for all parameter, Battery and System
 Protection degree IP20 - DIN rail; Space saving

Technical features

Thanks to the All In One units (DC-UPS), it will be possible to optimize power management. The available power is automatically allocated between load and battery, supplying power to the load is the first priority of the unit thus it is not necessary to double the power, because also the power going to the battery will go to the load if the load so requires. The maximum available current on the load output is 2 times the value of the device rated current I_n . We call "Battery Care" the concept base on algorithms that implement rapid and automatic charging, battery charge optimization during time, flat batteries recovery and real time diagnostic during installation and operation. The Real Time Auto-diagnostic system, monitoring battery faults such as, battery Sulfated, elements in short circuit, accidental reverse polarity connection, disconnection of the battery, they can easily be detected and removed by help of Blink Code of Diagnosis Led; during the installation and after sell. The continuous monitoring of battery efficiency, reduces battery damage risk and allows a safe operation in permanent connection. Each device is suited for all battery types, by means of jumpers it is possible setting predefined curves for Open Lead Acid, Sealed Lead Acid, Gel, Ni-Cd (option). They are programmed for two charging levels, boost and charge, but they can be changed to single charging level by the user. A rugged casing with bracket for DIN rail mounting provides IP20 protection degree. They are extremely compact and cost-effective.



Norms and Certifications

In Conformity to: EN60950 / UL60950-1 and CSA C22.2 No. 60950-1-07 (Information Technology Equipment) – Safety – Part1: General Requirement. Electrical safety; EN54-4 Fire Detection and fire alarm systems; 89/336/EEC; EMC Directive 2014/30/UE and Low voltage Directive 2014/35/UE; Safety EN IEC 62368-1: 2014/AC:2015; DIN41773 (Charging cycle); Emission: IEC 61000-6-3; Immunity: IEC 61000-6-2. CE.

Climatic Data

Ambient temperature (operation)	-25 ÷ +70°C
De Rating $T_a > 50^\circ\text{C}$	- 2.5%(I_n) / °C

Ambient temperature Storage	-40 ÷ +85°C
Humidity at 25 °C no condensation	95% to 25°C
Altitude: 0 to 2 000m - 0 to 6 560ft	No restrictions
Altitude: 2 000 to 6 000m-6 560 to 20 000ft	De-rating 5°C/1000m
Cooling	Auto convention

General Data

Insulation voltage (IN/OUT)	3000 Vac
Insulation voltage (Input / Earth, PE)	2000 Vac
Insulation voltage (Out Load & Battery / Earth, PE)	500 Vac
Insulation voltage (Out Load, Battery, Aux2 / Fault System & Main or Back Up terminal)	500 Vac
Protection Class (EN/IEC 60529)	IP20
Reliability: MTBF IEC 61709	> 300.000 h
Pollution Degree Environment	2
Connect Terminal Blocks screw Type Signal	2,5mm(24–14AWG)
Connect Terminal Blocks screw Type Power	4 mm (30-10 AWG)
Protection class (PE Connected)	I, with PE
Dimensions (w-h-d)	150x115x135 mm
Weight	1.55 kg approx.

Input Data

Nominal Input Voltage Vac	115 – 230 – 277
Voltage range Vac	90 – 135:180 – 305
Inrush Current ($V_n - I_n$ nom. Load) I_{2t}	$\leq 35 \text{ A} \leq 5 \text{ msec.}$
Frequency	47 ÷ 63 Hz
Input Current (115 – 230 Vac)	9 – 4.5 A
Internal fuse (not replaceable)	10 A
External Fuse (recommended) MCB curve B	16 A

Output Data (internal power supply)

Output Voltage (V_n) / Nominal Current (I_n)	24 Vdc
Output Current $I_n = I_{load}$	25 A
Efficiency (at 50% of rated current)	$\geq 91 \%$
Residual Ripple	$\leq 80 \text{ mV}_{pp}$
Turn-On delay after applying mains voltage	1 sec. (max)
Start up with Strong Load (capacitive load)	Yes, Unlimited
Dissipation power load max (W)	48
Short-circuit protection (max current)	Yes (70 A)
Over Load protection (max current)	Yes (60 A)
Over Voltage Output protection	Yes (typ. 35 Vdc)
Overheating Thermal protection	Yes

Battery Output

Output Voltage Battery	Follow the Out Load
Boost/Fast charge Jumper Config. 25°C (V/cell).	Lead Acid: 2.4 NiCd:1.51; Li-ion: 3.65

Float Charge Jumper Configuration 25°C (V/cell) Jumper Configuration battery type	Lead Acid: 2.23; 2.25; 2.27;2.3 NiCd:1.4; Li-ion: 3.45
Max.Time Boost-Bulk charge (Typ. at IN)	15 h
Min.Time Boost-Bulk charge (Typ. at IN)	1 min.
Recovery Charge	2 – 20 Vdc
Charging current max I _{batt}	25 A ± 5%
Charging current limiting I _{adj}	10 ÷ 100 % / I _{bat}
Reverse battery protection	Yes
Sulfated battery check	Yes Enabling by Jumper
Short circuit Element Detection	Yes
Detection of element in short circuit	Yes
Quiescent Current max.	≤ 100 mA
Charging Curve automatic: IUoU	5 stage
Remote Input Control (RTCONN cable)	Boost / Float

Load Output

Output voltage Vdc (at I _n)	22 - 28.8 V (31 Ni-Cd)
Nominal current I _{load}	1.1 x I _n A ± 5%
Continuous current (Without battery) I _{load= I_n}	25 A
Continuous current (With battery)	40 A
I _{load= I_n+ I_{batt}}	
Max. current Output Load (Main) I _{load} (4 sec.)	60 A max.
Max. current Output Load (Back Up)	40 A max.
I _{load} (4 sec.)	
Start From Battery Without Main (Remote Input Control)	RTCONN (cable) Push Button
Time Buffering; min (switch output off without main input)	0.5;2.5;10;15; 20; 30; 45;60;∞
Threshold alarm Battery almost flat	21 – 22 Vdc batt
LVD. (Protections against total Batt. discharge)	19 – 20 Vdc batt

Signal Output (free switch contacts)

Main or Backup Input Power	Yes
Low Battery	Yes
Fault Battery or system	Yes

Type of Signal Output Contact

Dry Contact. Current can be switched (EN60947.4.1): Max: DC1: 30 Vdc 1 A; AC1: 60 Vac 1A (Resistive load) Min: 1mA at 5 Vdc (Min permissive load)

Fault System / Low Battery	C	NC	NO
Main or Back Up	C	NC	NO

Signal Input / Output (RJ45)

Temp. Comp. Battery (with external probe) See Accessory section	RJTemp xxx (cable) Aux1
Remote monitoring data Protocol:	Aux 2 Modbus RTU (RS485)

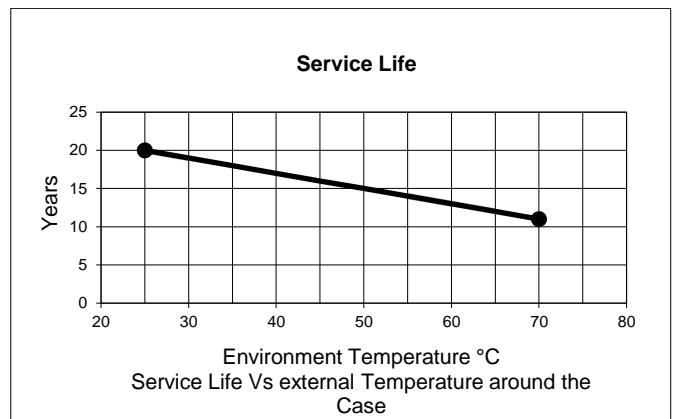
Lifetime Expectancy

Life Time Expectancy defines the minimum life expectancy of the device in hours of operation. Being a device designed with electrolytic capacitors, the maximum duration is defined at 15 years - 131,400 h. Any value higher than this is to be considered only as a theoretical duration, calculated to be able to compare devices with each other.

Ambient temp.	Out Power	115Vac	230Vac
25°C	24 Vdc - 10 A	642640h	883243h
25°C	24 Vdc - 20 A	158844h	634203h
40°C	24 Vdc - 10 A	187139h	292603h
40°C	24 Vdc - 20 A	25846h	182768h

Parallel Connection

Order Code:	CBI2420A
Parallel Connection by the Two device:	Aux 2
RJCONN45 (For parallel connection)	Cable RJ45/RJ45



Accuracy Measurement trough ModBus (RTU)

Accuracy on the Input side

Measure of the Main Input voltage at 47- 63Hz; ±25°C; 90 – 305 Vac	± 1 % of Full Scale Vac
--	-------------------------

Accuracy on the output side

Measure of the Output voltage Load Side Range: 10 - 33Vdc	± 1.5% of Full Scale Vdc Out
Measure of the Output current Load Side Range: 0 - 70A	± 1.5% of Full Scale I Out
Measure of the Output voltage Battery Side Range: 0 - 33V	± 1.5% of Full Scale Vdc Out
Measure of the Output current Battery Side Range: 0 - 30A	± 1.5% of Full Scale I Out
Temperature Probe Range:-20 – 60°C	± 2 °C

Accessory

RTCONN	Cable Start from battery Length 1m. Jumper 6
RJTEMP451	Temperature Probe Length 1m.
RJTEMP453	Temperature Probe Length 3m.
RJCONN45	Cable RJ45/RJ45 for Parallel Connection or connection to DPY351
RJ45COUPLER	RJ45 Three way "Daisy Chain" for Aux 2
RJUSB280	Cable RJ45/USB (Aux2) Length 1m for connection to PC.
RJTB280	Connector RJ45/Terminal Block 4pin for Aux 2 To RS485 ModBus RTU
ADELViewsystem	PC App for: Monitoring, Logging, Configuration, Control, Alarm, of the devices in ADELBus network.
DPY351	HMI panel control for: Monitoring, Logging, Configuration, Control, Alarm, of the devices in ADELBus network.
DPY353	Display for: Monitoring the Battery state, Battery Charging Section.